

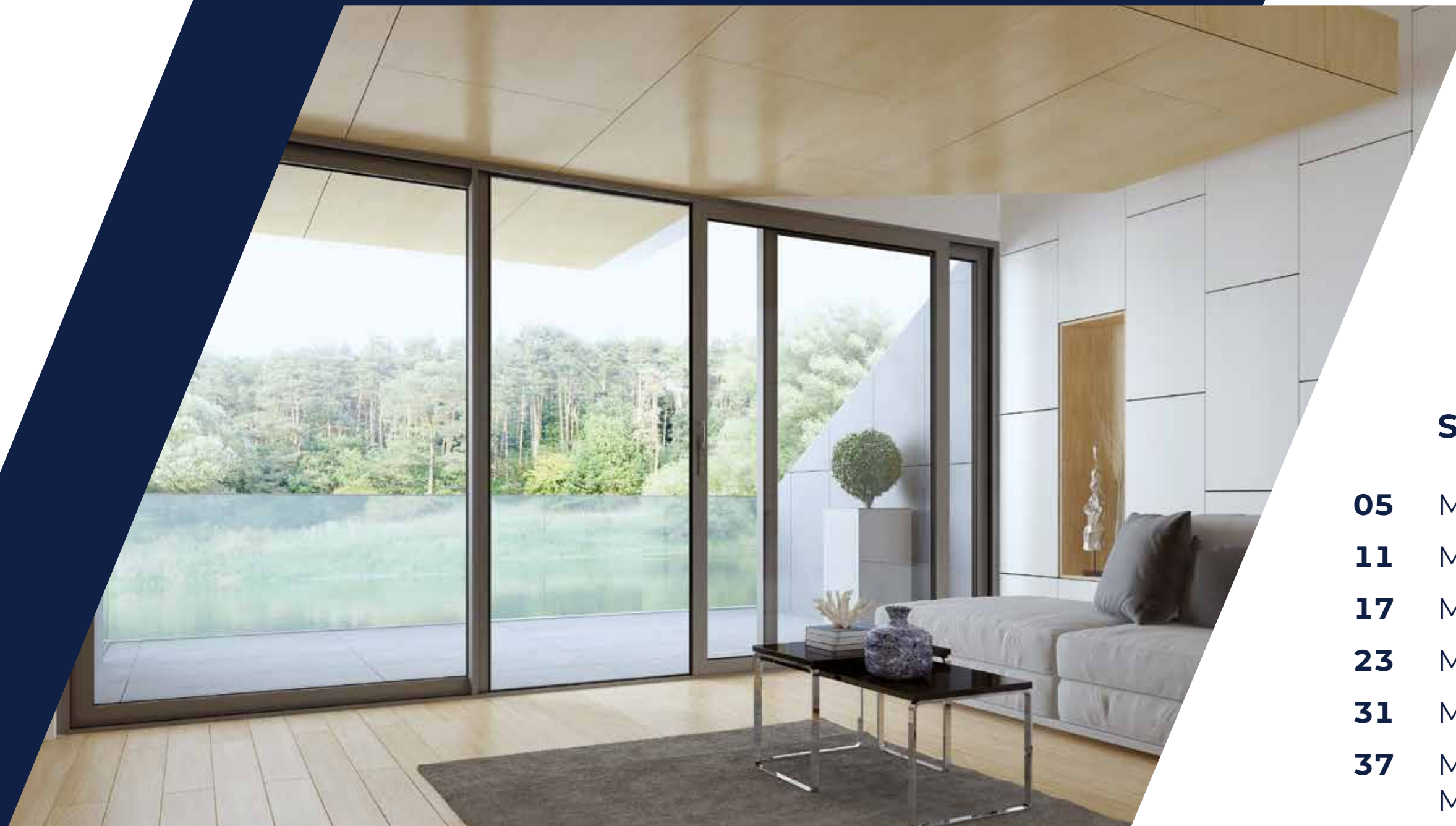


LET'S BUILD A BETTER FUTURE

LOOKING OUT ONTO THE GARDEN
SLIDE & LIFT AND SLIDE SYSTEMS

Our lift and slide doors are the perfect proposition for structures connecting a room or conservatory with the environment outside. They offer a convenient way out onto a balcony or patio or into the open space of a garden and provide wonderful contact with the surroundings. Further user comfort springs from the fact that, when they are open, they take up no space inside the room.

The ALUPROF range of sliding doors is a wide one. On the one hand, we have classic doors with clearly visible aluminium profiles. On the other hand, we have structures with a concealed frame and very slender profiles, giving an impression of lightness and delicacy. Corner structures with movable mullions can be produced, as can doors that retract into the wall. At the same time, large dimensions and heavy leaves can be used, making it possible to construct stunning, panoramic sweeps of glazing. This makes them ideal for contemporary buildings where visual effect is combined with user comfort



SYSTEMS

- 05** MB-SKYLINE TYPE R
- 11** MB-SKYLINE
- 17** MB-82HS
- 23** MB-77HS
- 31** MB-59HS
- 37** MB-59 SLIDE
MB-59 SLIDE GALANDAGE



TAKING YOU INSIDE **THE VIEW**

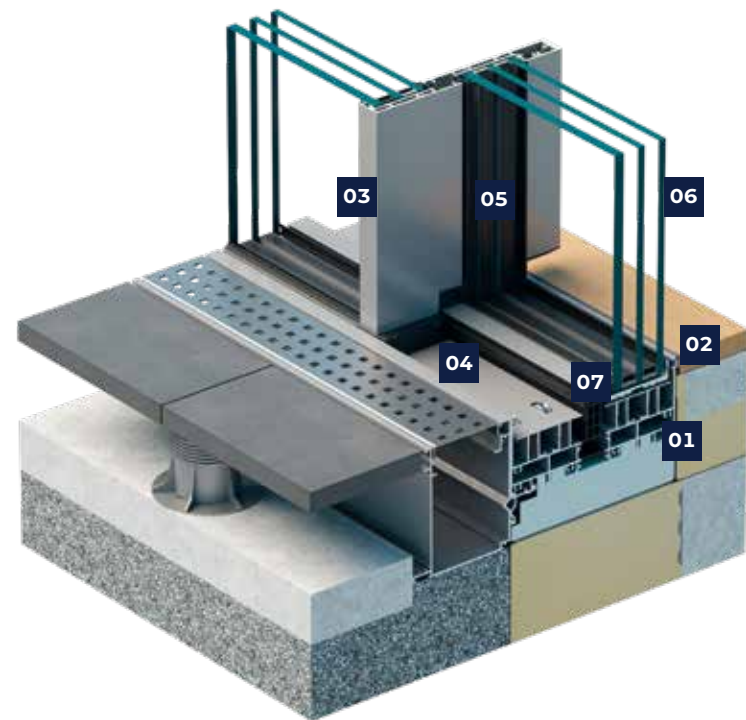
MB-SKYLINE TYPE R

The ALUPROF **MB-SKYLINE TYPE R** is a cutting-edge, large-scale, sliding door system which makes a feature of lightness and aesthetics. Slender profiles simultaneously provide both a contemporary look and a panoramic view of the surroundings.

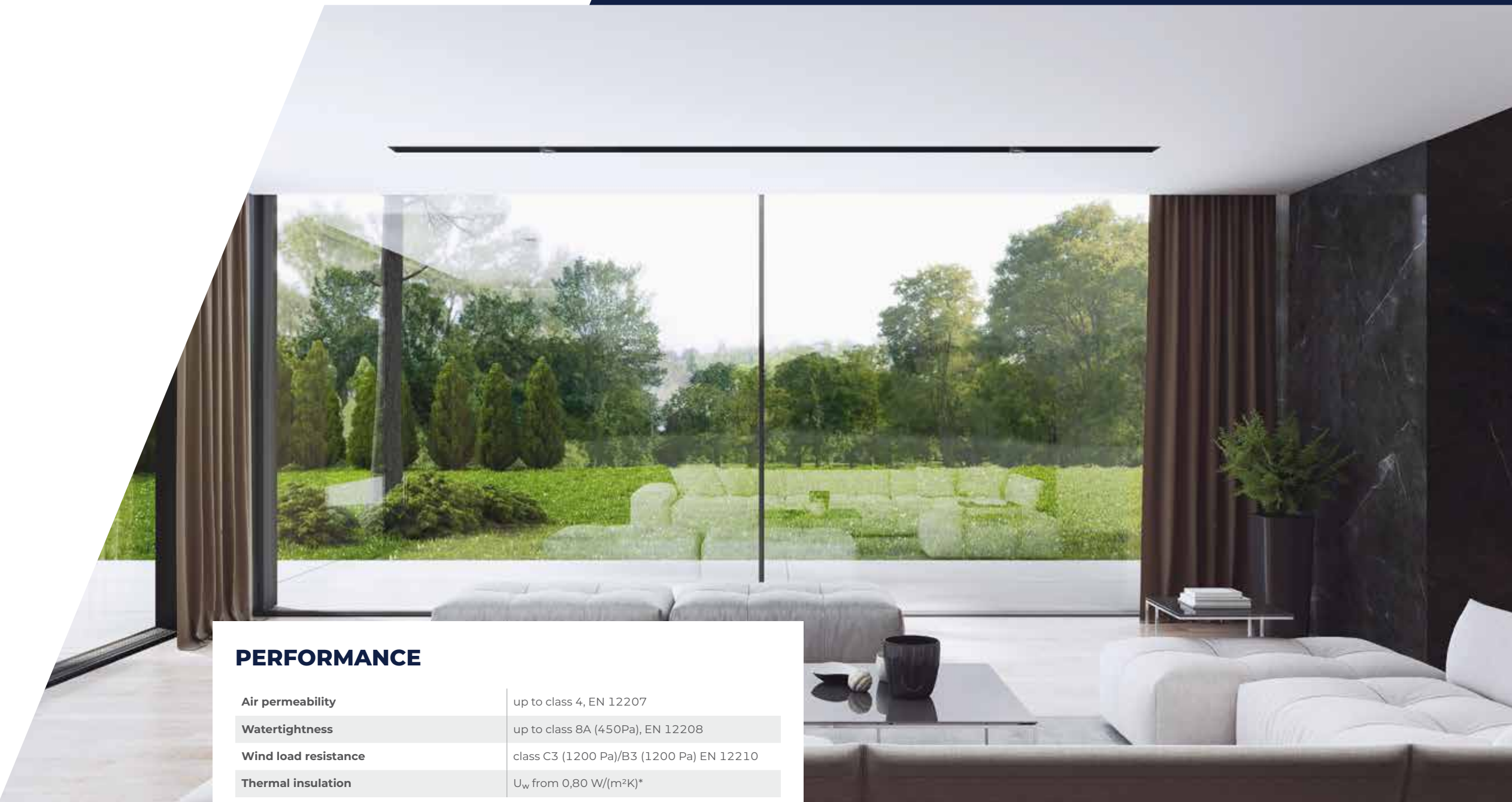
The main features of the **MB-SKYLINE TYPE R** are the completely invisible profile of the door panel, the slender mullion and the shallow frame, all of which will be appreciated by users at the very first glance. The panels may be massive, but no great effort is required to slide them open and closed and the mechanism that operates them is almost soundless. The maximum height for a structure based on the system is a soaring four metres and, if a concealed motor is fitted on the outside rather than being hidden, then the moving panel can weigh as much as 1200 kilograms.

This affords the possibility of designing spectacular glass walls.

FUNCTIONS AND AESTHETICS



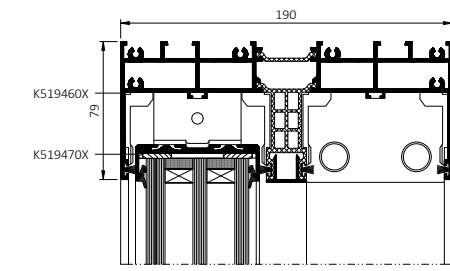
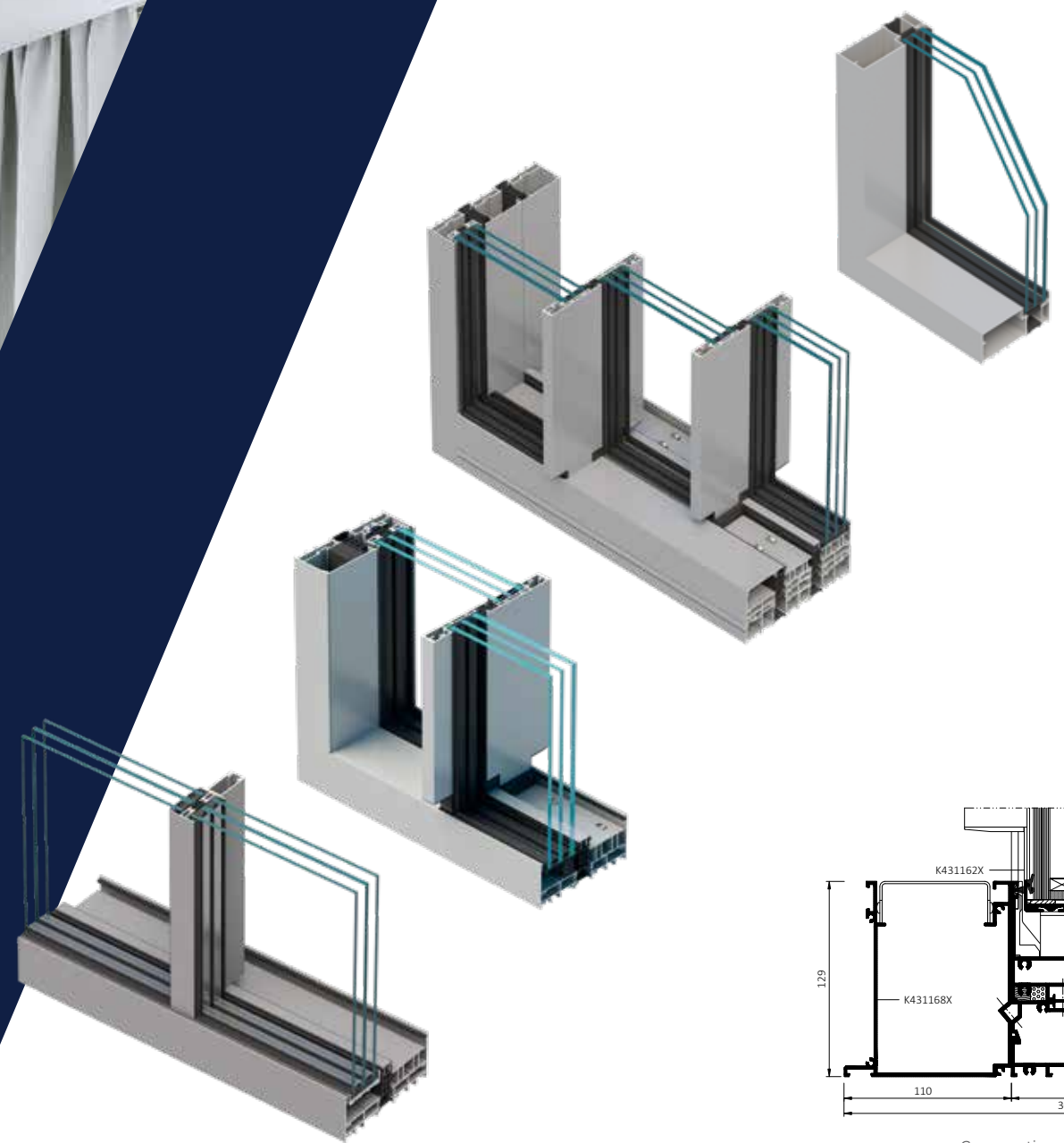
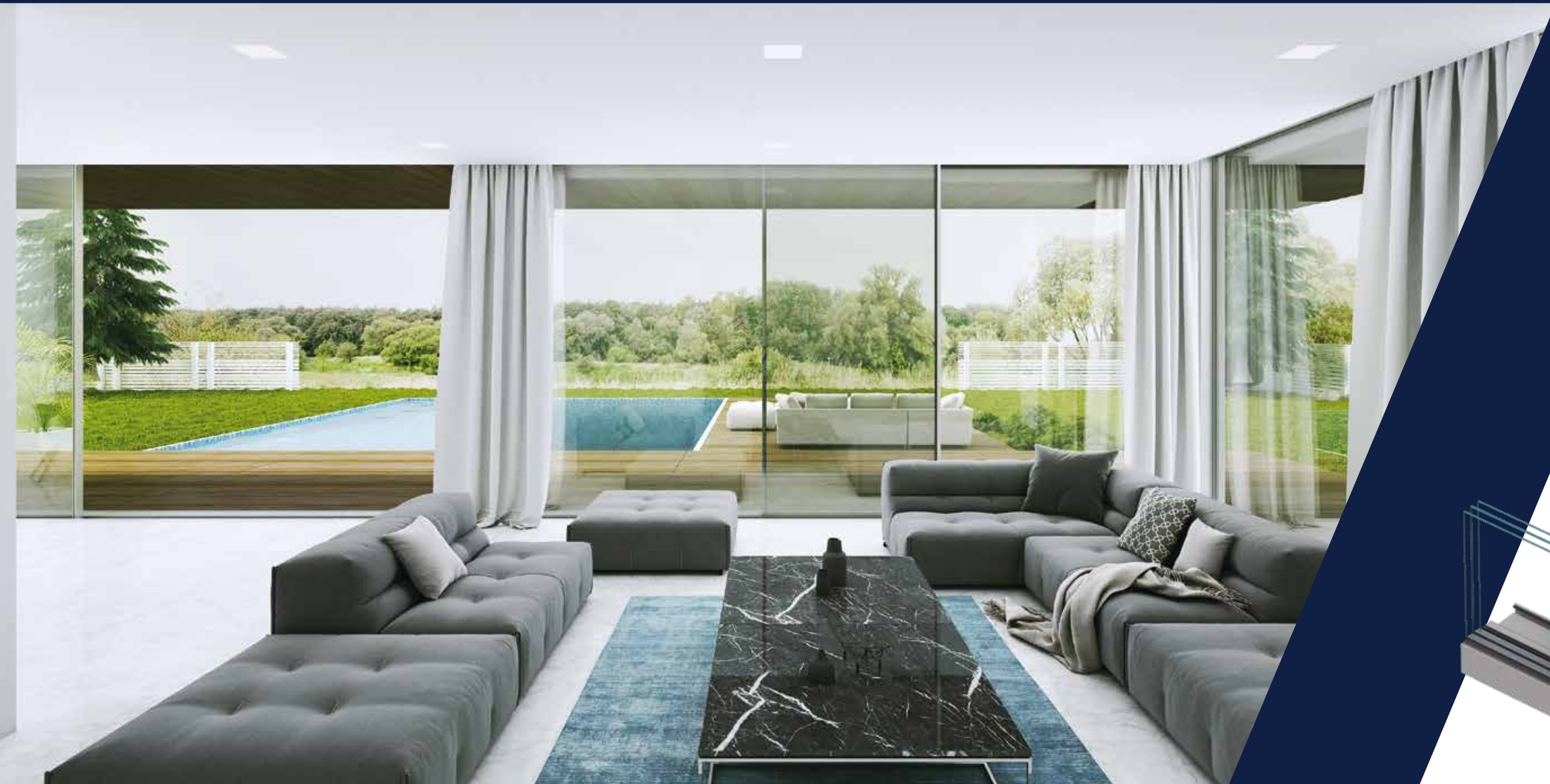
- 01 2- or 3-rail door frame built into the walls, floors and ceiling
- 02 the leaf profiles are completely hidden in the upper and lower frames. When the automatic drive unit option is selected, or the mullion features a locking mechanism, the leaf profiles remain invisible at the sides of the structure
- 03 the width of the mullion where the leaves meet is 25 mm
- 04 a convenient, shallow, 23 mm deep frame
- 05 the maximum panel weight is 500 kg for manually operated panels and 1200 kg with the concealed motor
- 06 glazing options range from 52 to 60 mm
- 07 the structural depth of the door profiles is 71 mm for leaf, 190 mm for 2-rail frame and 292 mm for 3-rail frame
- 08 the cutting-edge sliding seals used in the frame are aesthetically pleasing and silent in use
- 09 the rollers the leaf moves along are available in stainless steel or black polyamide
- 10 there are two locking options: manual, using BT Lock hardware or fitted to the mullion
- 11 the motor is equipped with a radio receiver and security radar
- 12 fixed panels can be used, with the glazing set into the door frame, giving a similar appearance to the operable panel
- 13 the door features a state-of-the-art drainage system, complete with guttering
- 14 the system comes with brackets which can be regulated in terms of height
- 15 the structural base has excellent thermal isolation
- 16 the system features a 'zero mullion', which makes it possible to use external venetian and roller blinds like the ALUPROF Skyflow and Skyroll
- 17 an additional static mullion is available for the system. It can be used to create fixed panels for twin-track structures



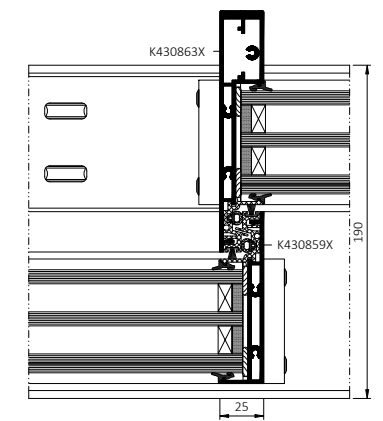
PERFORMANCE

Air permeability	up to class 4, EN 12207
Watertightness	up to class 8A (450Pa), EN 12208
Wind load resistance	class C3 (1200 Pa)/B3 (1200 Pa) EN 12210
Thermal insulation	U_w from 0,80 W/(m ² K)*

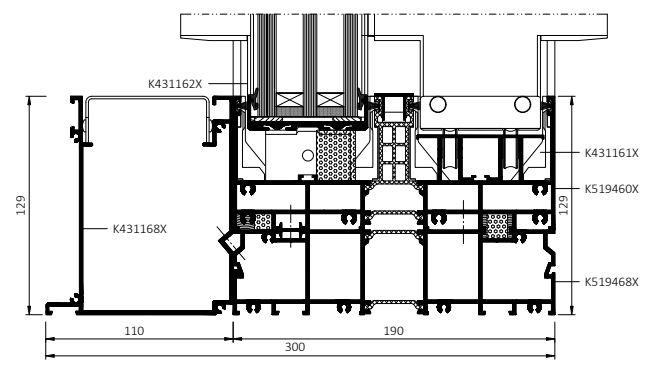
* for doors with a 2049 × 3441 mm leaf, with triple glazing units with a U_g coefficient of 0.5 W/(m²K) and warm edge spacer bar



Cross section of the top of the door



Cross section of the door-leaf intersection point



Cross section of the bottom of the door

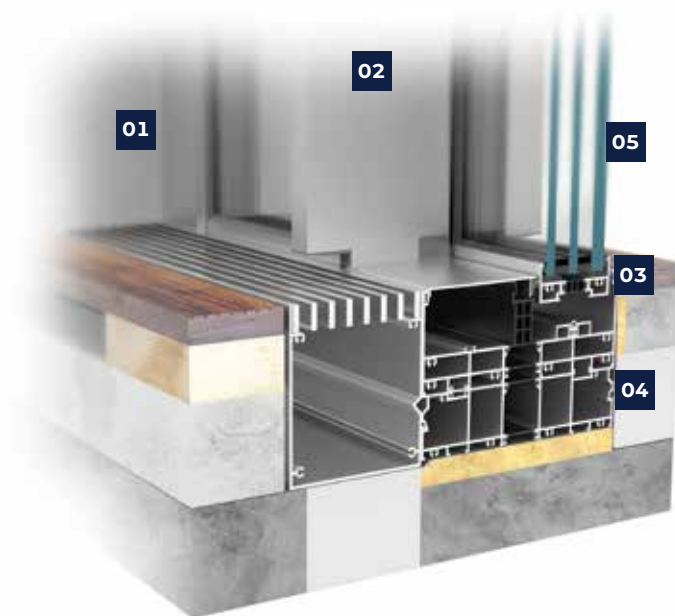


INVITE THE GARDEN INTO YOUR HOME

MB-SKYLINE

The **MB-SKYLINE** sliding door system features a hidden frame and narrow profiles, giving the construction an on-trend, minimalist look. Buildings fitted with **MB-SKYLINE** doors are buildings with a style all their own and an enhancement to any development. The system offers user comfort, providing threshold-free movement between interior and exterior spaces and uniting the worlds inside and outside the building. Although MB-Skyline doors can be produced in large dimensions, their slender construction creates an impression of slenderness and lightness. In their entirety, they form more or less uniform glazing with narrow dividing lines and are perfect for high-end construction projects.

FUNCTIONS AND AESTHETICS



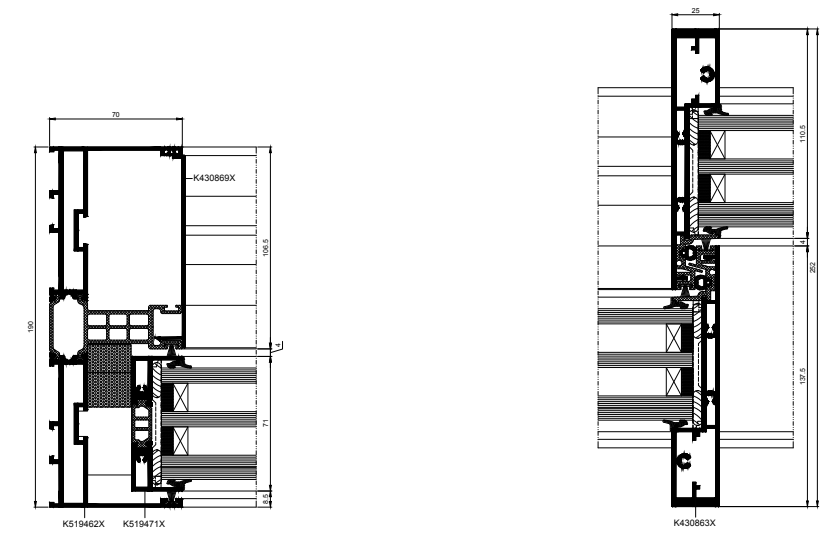
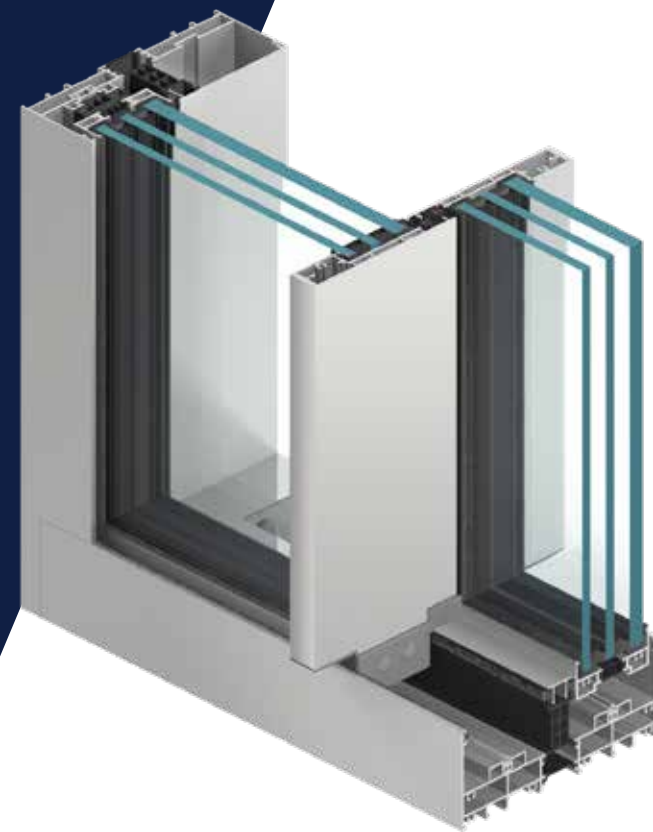
- 01** a profile depth of 71 mm for the leaf and 190 mm for the twin-track frame
- 02** a highly aesthetic construction with a contemporary design. The frame is concealed in the walls, floor and ceiling. The leaves are completely flush with the profile of the frame at the sides. The visible width where the leaves meet is 25 mm
- 03** door leaves with a weight of up to 700 kg and a maximum height of 4 m
- 04** thermally insulated profiles designed for triple glazing
- 05** triple glazing units with a thickness of 52 to 60 mm
- 06** manual or automatic opening and closing
- 07** the drives and control units are concealed in the frame profiles
- 08** an automatic unit mounted on the outside of the construction can be used

PERFORMANCE

Air permeability	class 3, EN 12207
Watertightness	up to class 9A (600Pa), EN 12208
Wind load resistance	up to class C5 (2000Pa), EN 12210
Thermal insulation	U_w from 0.85 W/(m ² K)*

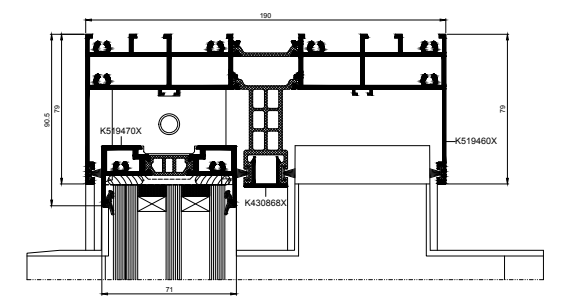
* for doors with a 2070 × 3440 mm leaf, with triple glazing units with a U_g coefficient of 0.5 W/(m²K) and warm edge spacer bar





cross section of the side of the door

cross section of the door-leaf intersection point



cross section of the top of the door

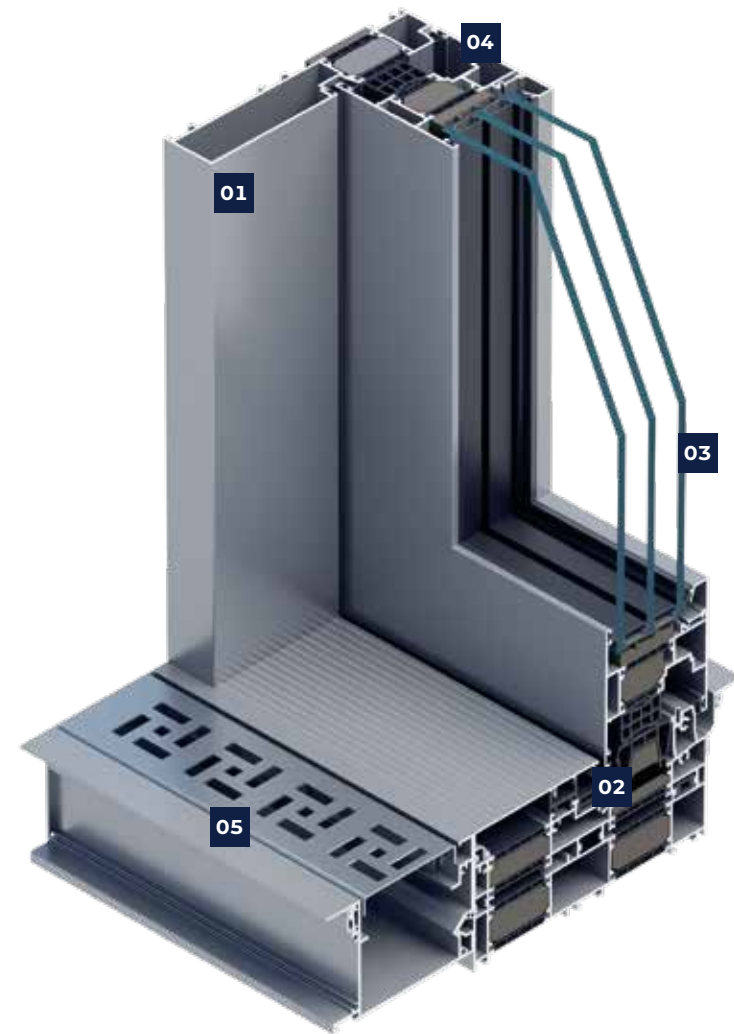


MORE COMFORT AND MORE SAVINGS

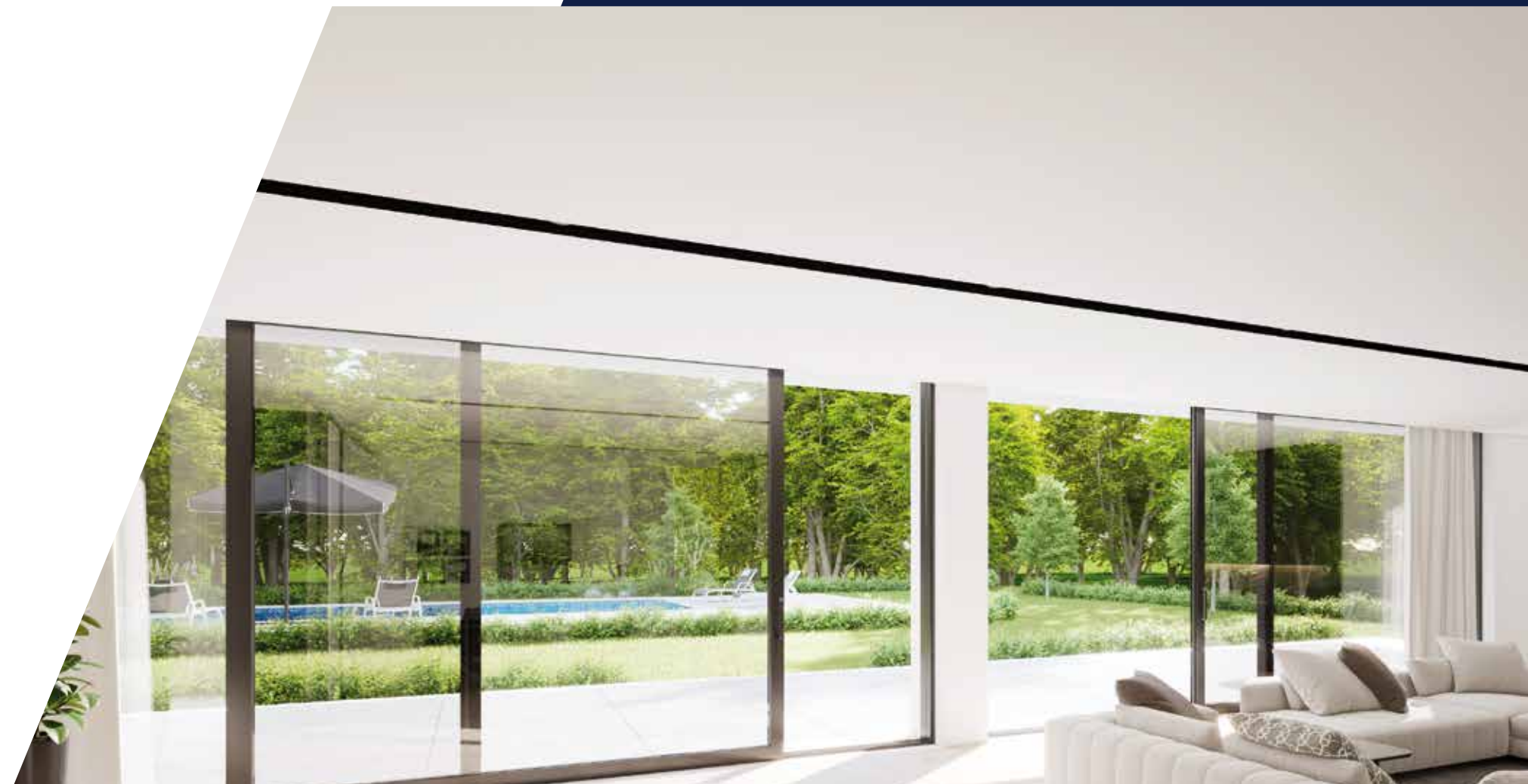
MB-82HS

The **MB-82HS** lift and slide patio door with thermal break is a structure which is a perfect match for contemporary interiors. It is designed for creating a building with user comfort in mind, where the living space connects seamlessly with the patio. It offers high aesthetic values, easy fabrication and excellent performance parameters, including impressive thermal insulation, airtightness and watertightness. Generous dimensions are achievable for structures made with the **MB-82HS** and the doors can be opened either manually or automatically. The parameters mean that the system can be used for buildings with demanding energy efficiency requirements. The technological solutions it features include a 'zero' threshold embedded in the floor, a linear drainage system, slim mullions and no masking strips on the vertical frames. This makes the **MB-82HS** a door where visual appeal goes hand in hand with functionality and user comfort.

FUNCTIONS AND AESTHETICS



- 01 profile depth: 82 mm for the leaf, 186 mm for the frame
- 02 three thermal variants: the ST, SI and SI+
- 03 glazing: 18-66 mm for the leaf, 36-65 mm for the fixed lights
- 04 maximum leaf dimensions: 3240×3300 mm
- 05 a comprehensive system solution for installation; an EPS structural base, mounting brackets, a compensating profile and linear drainage
- 06 maximum leaf weight: 600 kg
- 07 a wide selection of hardware
- 08 a range of mullion solutions; the SI+ mullion offers enhanced thermal performance or a slim mullion with high aesthetic values
- 09 the glazing of the lights from the outside makes it possible to install large, heavy panes of glass
- 10 a compensating profile is available for preventing ceiling deflection from affecting the functioning of the door
- 11 the custom-designed profiles make the door easy to combine with other ALUPROF systems, such as the MB-79N, MB-86N and MB-104 Passive
- 12 easier prefabrication, thanks to the simplified drainage model, straight-cut and bolted frame and glazing on the outside of the fixed lights



PERFORMANCE

Air permeability	class 4, EN 12207
Watertightness	750 Pa, EN 12208
Wind load resistance	1200 Pa, EN 12210
Thermal insulation	U_w from 0.60 W/(m ² K)*

* U_w for an operable MB-82HS door measuring 6500×3300 mm, with $U_g=0.5$ W/(m²K) glass and a warm edge spacer bar



YOUR SPACE



MB-77HS

The **MB-77HS** numbers among ALUPROF's top systems in terms of performance and meets all the requirements for its product group. In terms of thermal insulation, it has two different variants: the ST and the HI. The profiles used in this product make it possible to fabricate exclusive, large-scale doors with double or triple glazing units, while the materials and technical solutions used help to achieve a high degree of thermal and noise protection. Thanks to its specifications, the **MB-77HS** system is ideal for single-family houses, comfortable apartments and hotels. The MB-77HSB was developed to meet the needs of the Belgian market.

FUNCTIONS AND AESTHETICS



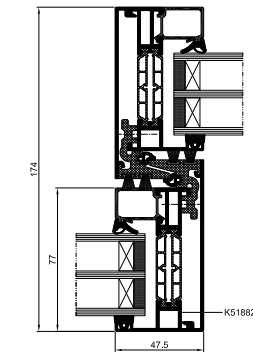
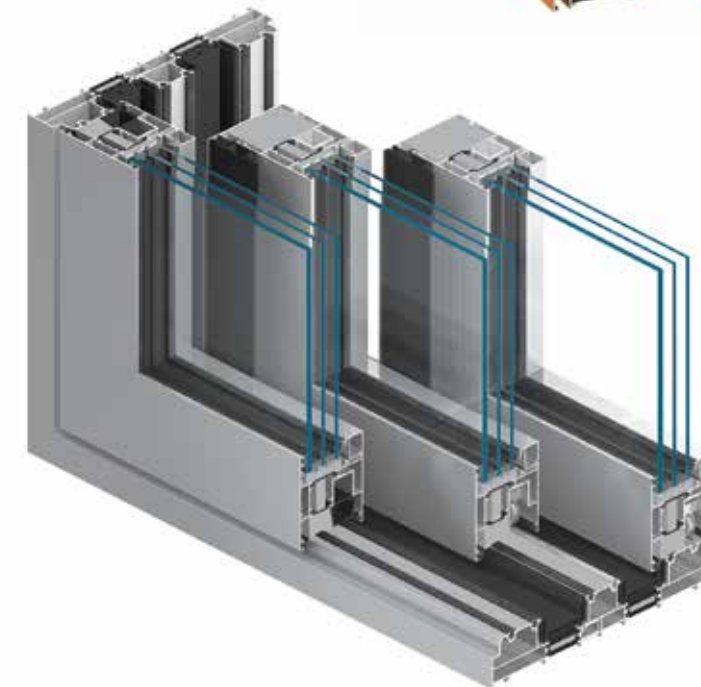
- 01 the slender, durable profile makes it possible to build a low-threshold door with a leaf weight of up to 600 kg, a height of up to 3.2 m and a width of up to 3.3 m
- 02 the frames are available in two variants, twin-track and triple-track
- 03 a wide range of infills, including single- or double-glazed units, along with thermal breaks and a selection of accessories and insulating inserts, makes it possible to achieve excellent thermal and acoustic parameters
- 04 the closed shape of the glazing beads and the anti-tamper details make it possible to obtain increased burglary resistant properties without changing the fundamental construction elements of the door
- 05 the glazing beads come in three versions: Standard (rectangular), Prestige (rounded) and Style (diamondshaped)
- 06 the profiles are designed to allow a great many of the manual and automatic locking devices available on the market to be installed
- 07 90° and 270° corners can be built, creating an exceptionally large space once the door is open
- 08 convenient solutions featuring a low threshold
- 09 the tailored shapes of the stop seals and glazing gaskets, together with the appropriate hardware, ensure high air- and watertightness
- 10 the MB-77HS features a high level of compatibility with ALUPROF's MB-86 system. This means that the door can be aesthetically combined with windows and some of the parts can be used interchangeably for their production
- 11 the wide range of colours allows the door to be used freely in the composition of any interior or exterior décor
- 12 the MB-77HSB system holds a Technical Approval (ATG) certificate issued by the Belgian Union for Technical Approval in Construction (BUtgb/UBAtc)
- 13 manual or automatic opening and closing
- 14 the drives and control units are concealed in the frame profiles
- 15 an automatic unit mounted on the outside of the construction can be used



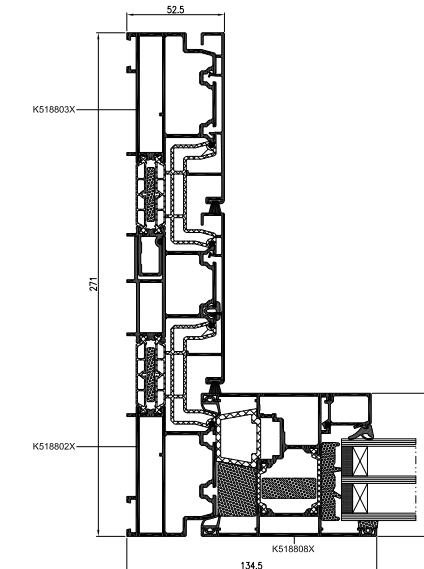
PERFORMANCE

Air permeability	class 4, EN 12207
Watertightness	class 9A, EN 12208
Wind load resistance	up to class C4, EN 12210
Thermal insulation	U_f from 1.4 W/(m ² K), U_w from 0.84 W/(m ² K)*

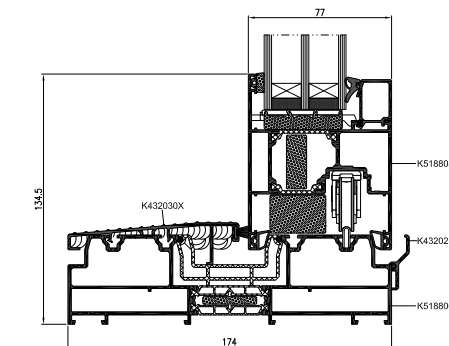
* U_w for an operable MB-77HS HI window with a vent measuring 3000 × 2900 mm, with $U_g=0.5$ W/(m²K) glazing



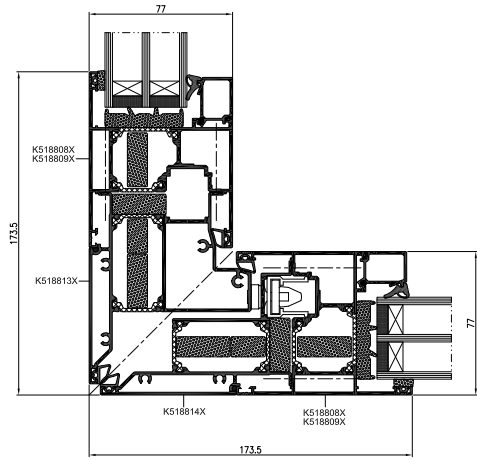
cross section of the door-leaf intersection point



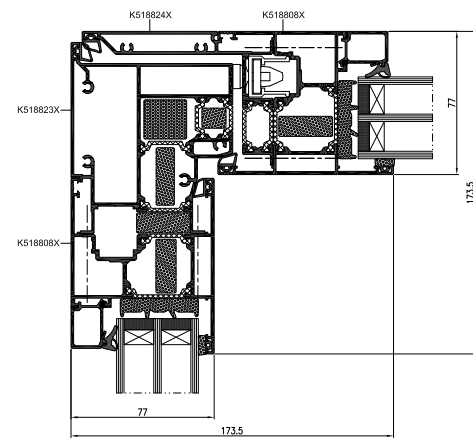
cross section of a door with a triple-track frame



cross section of the door threshold



cross section of a corner door



cross section of a corner door





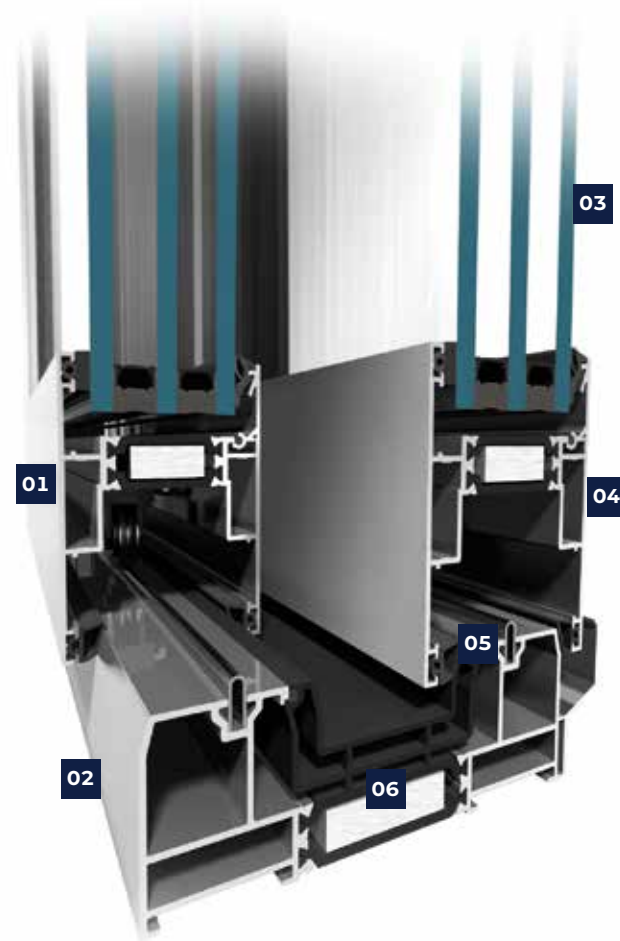
A STYLISH WAY OUT ONTO YOUR PATIO

MB-59HS

ALUPROF's **MB-59HS** offers extensive potential for the construction of lift and slide doors and, at the same time, it is an optimised solution in terms of the leaf and frame profile structure.

The system comes in two thermal insulation variants, the ST and the HI. The selection of available profiles include twin and triple-track frames, and leaves that are adapted to two heights of rolling devices. A wide range of single- or double-glazing units can be installed, as can acoustic or burglar-resistant glass. The properties of the **MB-59HS** make it ideal for use in buildings ranging from the individual to hotels and apartments.

FUNCTIONS AND AESTHETICS

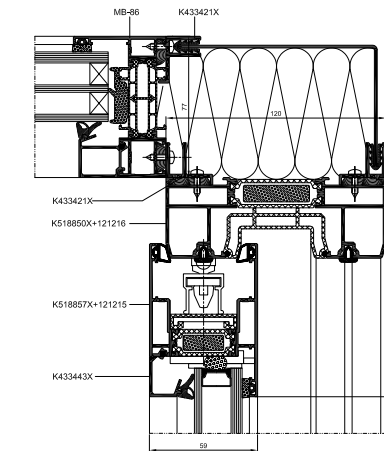


- 01 the slender, durable profiles feature a triple structure where the central section is an insulation chamber with wide thermal breaks
- 02 twin- and triple-track frames make it possible to produce doors with a wide opening
- 03 glazing thicknesses up to 42 mm can be used for the door leaves, providing plenty of choice in terms of suitable glass parameters
- 04 the extensive permissible leaf dimensions considerably exceed the standard values, with a height of up to 2.8 m, a width of up to 3.3 m and a maximum leaf weight of 300 kg
- 05 the high air- and watertightness parameters are achieved thanks to the customised shape of the seals and the hardware, which enable the leaf to settle into the frame during the final stage of closing the door
- 06 the relatively low, U_f heat transfer coefficient of the frames is ensured by wide thermal separators, polyethylene inserts and plastic profile sections installed in thermal insulation strips
- 07 fixed lights can be created with glass set directly into the frame, providing an aesthetic and economic solution
- 08 the system can be fitted with most of the lift and slide hardware available on the market
- 09 a version with a low threshold is available, providing an easy-to-use option, particularly for elderly or disabled people
- 10 the doors can be installed not only in individual buildings, but also in larger structures forming mullion and transom façades or conservatories
- 11 the construction technology for the system has been simplified to the maximum in order to reduce production time and costs
- 12 the system is compatible with other ALUPROF solutions and some of the mullion and transom or
- 13 conservatory parts can be used interchangeably

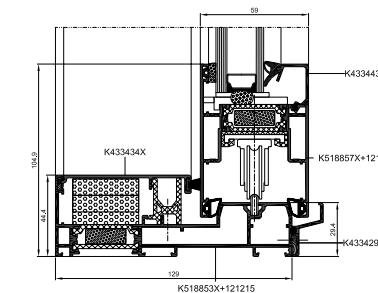


PERFORMANCE

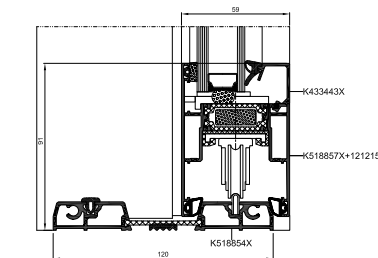
Air permeability	class 3, EN 12207
Watertightness	up to class 9A (600 Pa), EN 12208
Wind load resistance	up to class C3, EN 12210
Thermal insulation	U_f from 1.8 W/(m ² K)



cross section through the 90° angle joint of the MB-59HS door with fixed window



cross section of the bottom of the door with a fixed window



cross section of the bottom of a door with a low threshold

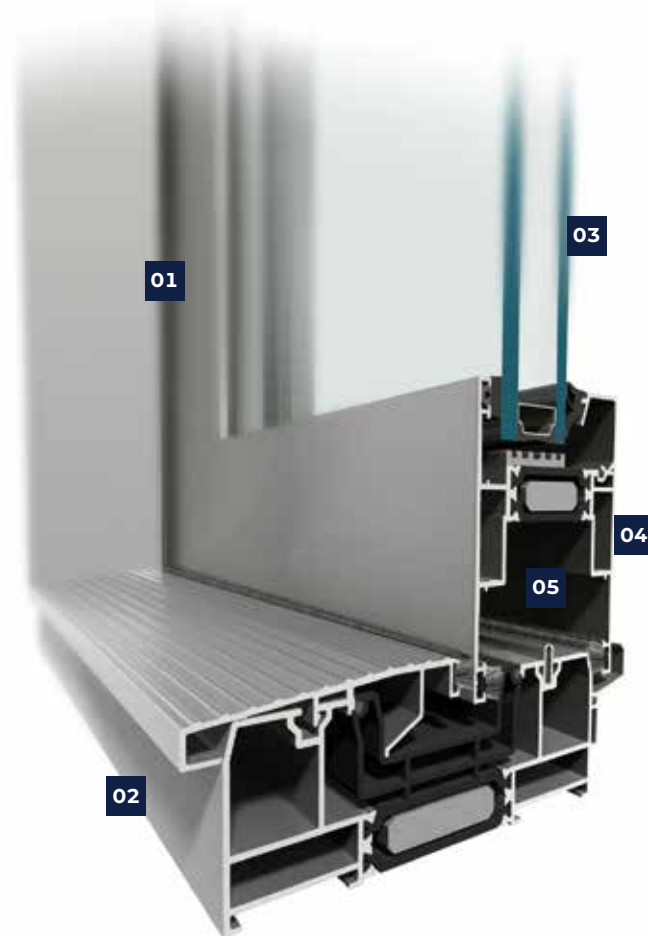
LIVING CLOSER TO NATURE



MB-59 SLIDE

The **MB-59 Slide** is intended for the production of thermally insulated sliding doors which can be installed in masonry walls, aluminium façades, conservatories and shop windows and other similar expanses of glass. Sliding doors, particularly extensive ones, visually 'enlarge' a living area by linking it to a patio or garden. In terms of thermal insulation, the **MB-59 Slide** profiles have two different variants: the ST and the HI. The range of available profiles include twin- and triple-track frames. A wide selection of single- or double-glazing units can be installed, as can acoustic or burglar-resistant glass. The properties of the **MB-59 Slide** make it ideal for use in buildings ranging from the individual to hotels and apartments.

FUNCTIONS AND AESTHETICS

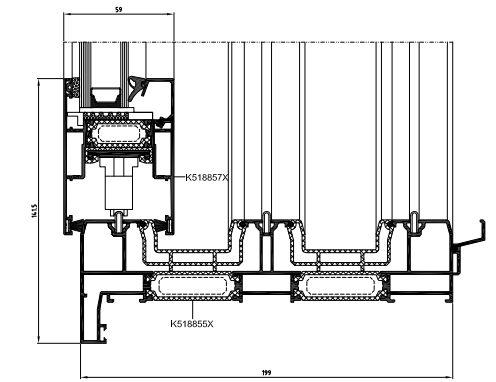


- 01 the slender, durable profiles feature a triple structure where the central section is an insulation chamber with wide thermal breaks
- 02 twin- and triple-track frames make it possible to produce doors with a wide opening
- 03 glazing thicknesses up to 42 mm can be used for the door leaves, providing plenty of choice in terms of suitable glass parameters
- 04 the door features extensive permissible leaf dimensions, with a height of up to 2.6 m, a width of up to 1.8 m and a maximum leaf weight of 160 kg
- 05 the system can be fitted with most of the lift and slide hardware available on the market
- 06 the doors can be installed not only in individual buildings, but also in larger structures forming mullion and transom façades or conservatories
- 07 the construction technology for the system has been simplified to the maximum in order to reduce production time and costs
- 08 the system is compatible with other ALUPROF solutions and some of the parts can be used interchangeably

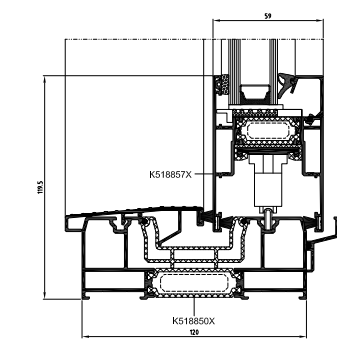
PERFORMANCE

Air permeability	class 3, EN 12207
Watertightness	class 6A, EN 12208
Wind load resistance	class C3, EN 12210
Thermal insulation	U_f from 1.9 W/(m ² K)

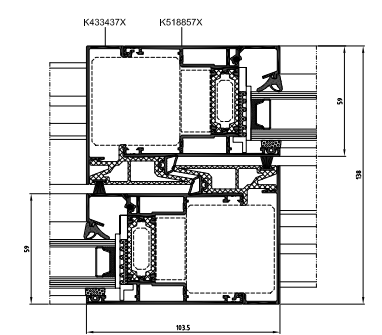




cross section of the bottom of the door with a triple-track renovation frame



cross section of the bottom of the door



cross section of a door leaf



BOUNDLESS CONTACT WITH YOUR SURROUNDINGS

MB-59 SLIDE GALANDAGE

The ALUPROF **MB-59 Slide Galandage**, which is based on our MB-59 SLIDE system, is designed for creating thermally insulated sliding doors which tuck away into the walls as they are opened. This leaves them completely hidden from view and eliminates the boundary between a living area and the outdoor world of a patio or garden. **MB-59 Slide Galandage** system profiles come in two options that offer different thermal insulation performances: the ST and the HI. The range of available profiles include twin- and triple-track frames. A wide range of single- or double-glazing units can be installed, as can acoustic or burglar-resistant glass.

FUNCTIONS AND AESTHETICS

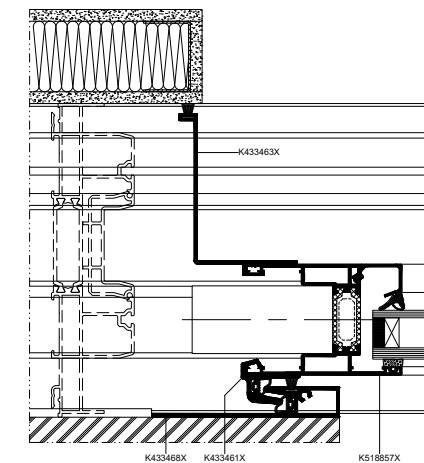
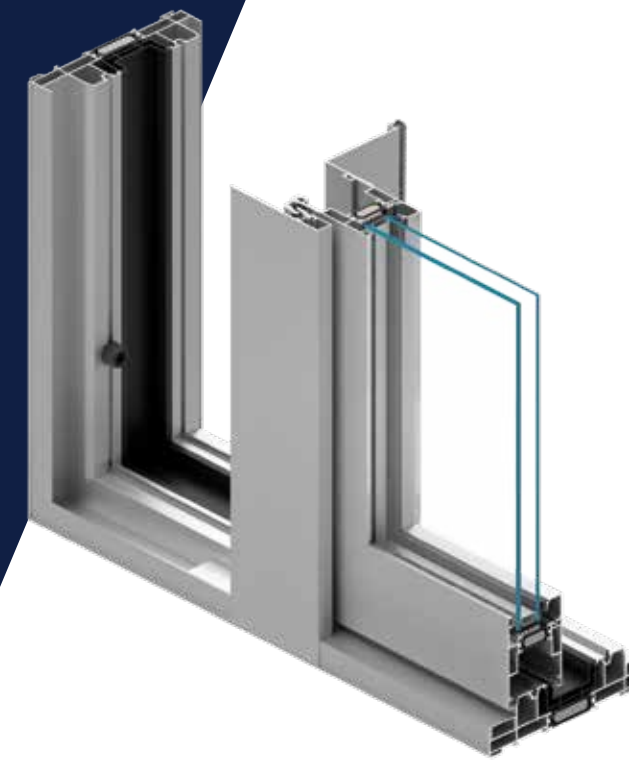
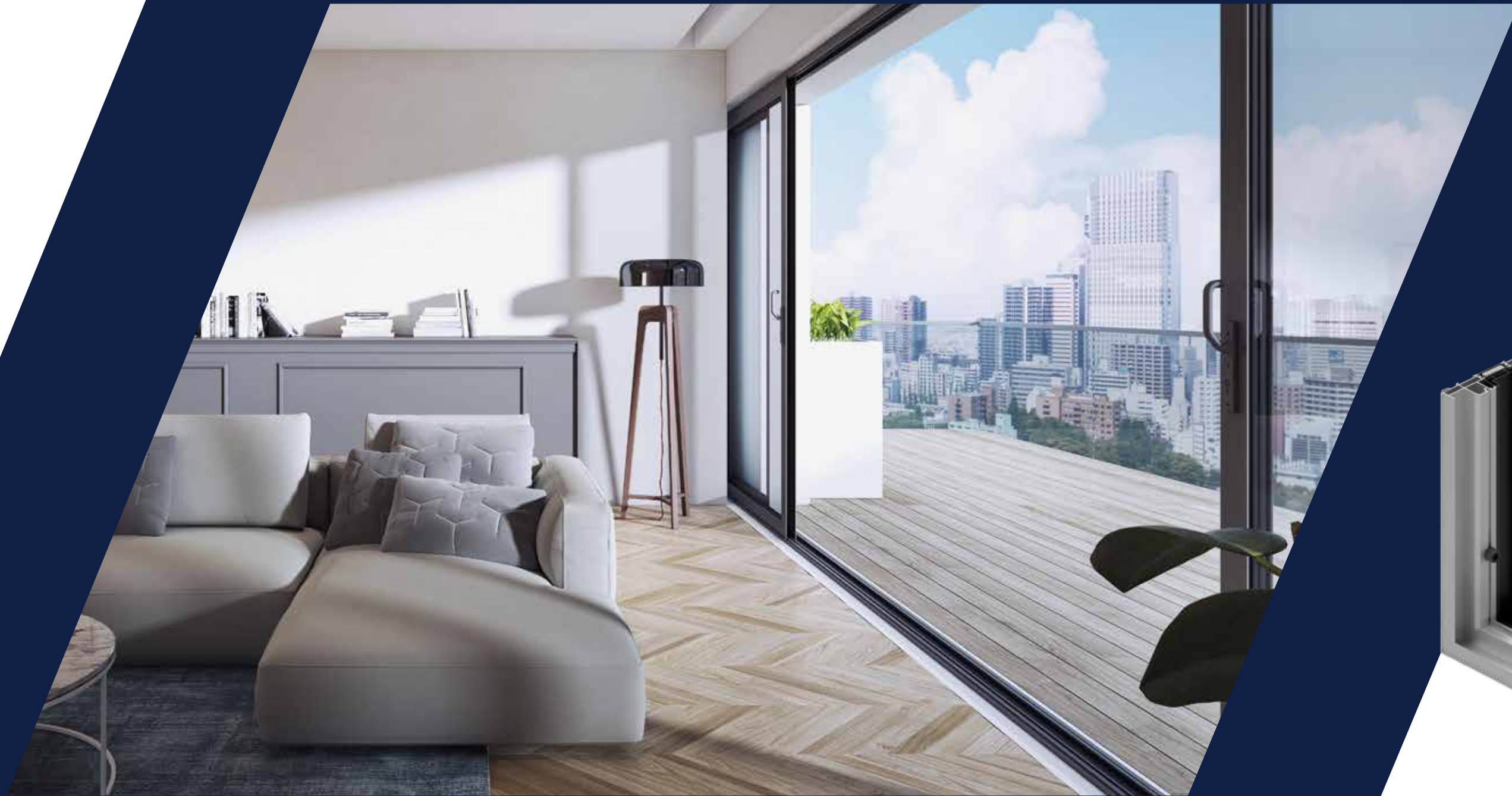


- 01 the door tucks away into the wall completely, leaving unhampered access to the open spaces of a patio or garden
- 02 the slender, durable profiles feature a triple structure where the central section is an insulation chamber with wide thermal breaks
- 03 twin- and triple-track frames make it possible to produce doors with a wide opening
- 04 glazing thicknesses up to 42 mm can be used for the door leaves, providing plenty of choice in terms of suitable glass parameters
- 05 the system can be fitted with most of the lift and slide hardware available on the market
- 06 the door features extensive permissible leaf dimensions, with a height of up to 2.6 m, a width of up to 1.8 m and a maximum leaf weight of 160 kg

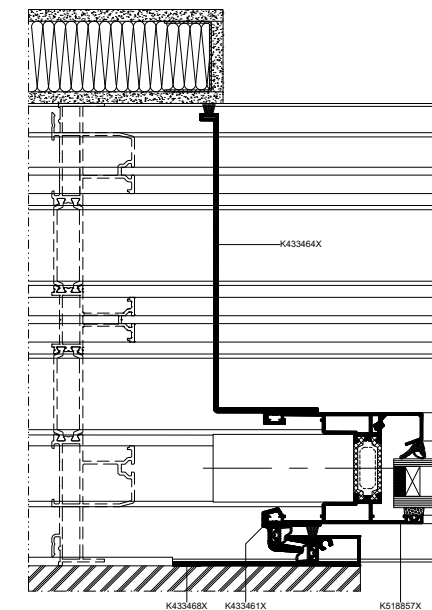
PERFORMANCE

Air permeability	class 3, EN 12207
Watertightness	class 5A, EN 12208
Wind load resistance	class C2/B2, EN 12210
Thermal insulation	U_f from 1.9 W/(m ² K)

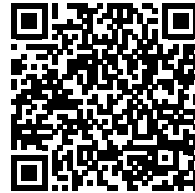




side cross section of a door with a twin-track frame built into a wall



side cross section of a door with a triple-track frame built into a wall



Download this booklet
onto your mobile device!

ALUPROF

ALUMINIUM SYSTEMS

ALUPROF SA Plant in Bielsko-Biała, ul. Warszawska 153, 43-300 Bielsko-Biała, Poland
Tel.: +48 33 81 95 300, fax: +48 33 82 20 512, e-mail: aluprof@aluprof.eu

ALUPROF SA Plant in Opole, ul. Gostawicka 3, 45-446 Opole, Poland
Tel.: +48 77 400 00 00, fax: +48 77 400 00 06, e-mail: opole@aluprof.eu